



VESTIL MANUFACTURING CORP.

2999 North Wayne Street, P.O. Box 507, Angola, IN 46703

Telephone: (260) 665-7586 -or- Toll Free (800) 348-0868

Fax: (260) 665-1339

www.vestilmfg.com e-mail: sales@vestil.com

SPTT-SERIES STEEL DUMPING HOPPERS

Instruction Manual



RECEIVING INSTRUCTIONS:

After delivery, IMMEDIATELY remove the packaging from the product in a manner that preserves the packaging and maintains the orientation of the product in the packaging; then inspect the product closely to determine whether it sustained damage during transport. **If damage is discovered during the inspection, immediately record a complete description of the damage on the bill of lading.** If the product is undamaged, discard the packaging.

NOTES:

- 1) Compliance with laws, regulations, codes, and non-voluntary standards enforced in the location where the product is used is exclusively the responsibility of the owner/end-user.
- 2) VESTIL is **not liable** for any injury or property damage that occurs as a consequence of failing to apply either:
 - a) Instructions provided in this manual; or
 - b) Information appearing on labels affixed to the product.

Neither is Vestil responsible for *any* consequential damages sustained as a result of failing to exercise sound judgment while assembling, installing, using or maintaining this product.

Table of Contents

| | |
|--|---|
| Safety Principles..... | 2 |
| Safety Guidelines..... | 2 |
| Product specifications..... | 2 |
| Fig. 1: SPTT-05 parts diagram and bill of materials..... | 3 |
| Fig. 2: SPTT-10 parts diagram and bill of materials..... | 4 |
| Fig. 3: SPTT-15 parts diagram and bill of materials..... | 5 |
| Loading & use instructions..... | 6 |
| Inspections & Maintenance..... | 6 |
| Label placement diagram..... | 7 |
| Limited Warranty..... | 8 |

Safety Principles

Vestil Manufacturing Corp. created this manual to acquaint owners and users of our hoppers with safe use and maintenance procedures. Although Vestil diligently strives to identify foreseeable, hazardous situations, this manual cannot address every conceivable danger. The end-user is ultimately responsible for exercising sound judgment at all times.

The mechanisms of each hopper are relatively intuitive to operate. Nonetheless, every person who might use or maintain this product should be familiar with the instructions provided in this manual BEFORE using or performing maintenance on the hopper.

Failure to apply the directions in this manual might lead to serious personal injury or even death. Vestil is **not liable** for any injury or property damage that occurs as a consequence of failing to apply either: 1) the instructions that appear in this manual; or 2) the information disclosed on labels affixed to the product.

To draw attention to hazards that users might encounter, this manual classifies personal injury risks and situations that could lead to property damage with SIGNAL WORDS. These signal words are used to direct attention to safety messages. The reader must understand that the signal word chosen indicates the seriousness of the described hazard.



Identifies a hazardous situation which, if not avoided, **WILL** result in **DEATH** or **SERIOUS INJURY**. Use of this signal word is limited to the most extreme situations.



Identifies a hazardous situation which, if not avoided, **COULD** result in **DEATH** or **SERIOUS INJURY**.



Indicates a hazardous situation which, if not avoided, **COULD** result in **MINOR** or **MODERATE** injury.



Identifies practices likely to result in product/property damage, such as operation that might damage the hopper.

Safety Recommendations:

Study the entire manual before using the product for the first time. Read the manual when necessary to refresh your understanding of the use, inspection and maintenance instructions. If questions remain after you finish reading this manual, ask your supervisor or employer for assistance. DO NOT attempt to resolve any problem with the hopper unless you are authorized to do so and are certain that it will be safe to use afterwards.



Material handling is dangerous. *Failure to read and understand the instructions included in this manual before using or servicing the hopper constitutes misuse.* Improper or careless operation might result in serious personal injuries. Reduce the likelihood of injury by applying the following:

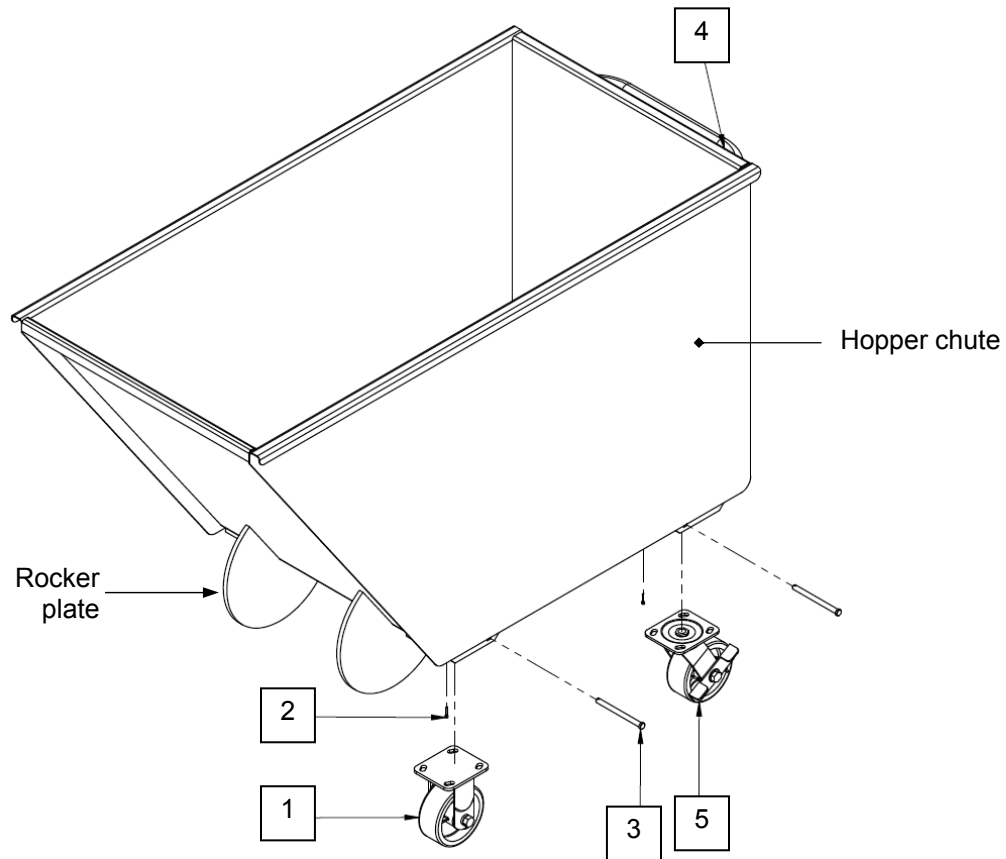
- DO NOT use a malfunctioning or structurally damaged hopper. Inspect the hopper according to the inspection instructions on p. 6. DO NOT use the hopper unless it passes every part of the inspection.
- DO NOT ride on or in the hopper.
- DO NOT use the hopper if any product label—besides label 419-- is unreadable, damaged, or missing (see "Label placement diagram" on p. 7). Contact Vestil to order replacement labels.
- DO NOT modify the hopper in any way! Modifying the hopper automatically voids the limited warranty AND might make the hopper unsafe to use.
- DO NOT dump the hopper UNLESS all people clear the vicinity.
- Only dump the hopper while on a level surface.

Product Specifications

Dimensions and other product specifications appear in the following table:

| Model | Volume in Cubic Yards (m ³) | Volume in cubic feet (ft ³) | Uniform Maximum Rated Load in Pounds (kg) | Overall Dimensions (W x D x H) | Net Weight in Pounds (kg) |
|---------|---|---|---|--------------------------------|---------------------------|
| SPTT-05 | 2/3 | 18 | 1,000 | 26¼ in. x 56½ in. x 36 in. | 160 (72.7kg) |
| SPTT-10 | 1 | 27 | 1,500 | 38¼ in. x 56½ in. x 36 in. | 200 (90.9kg) |
| SPTT-15 | 1½ | 40 | 2,000 | 38½ in. x 63 in. x 46 in. | 270 (122.7kg) |

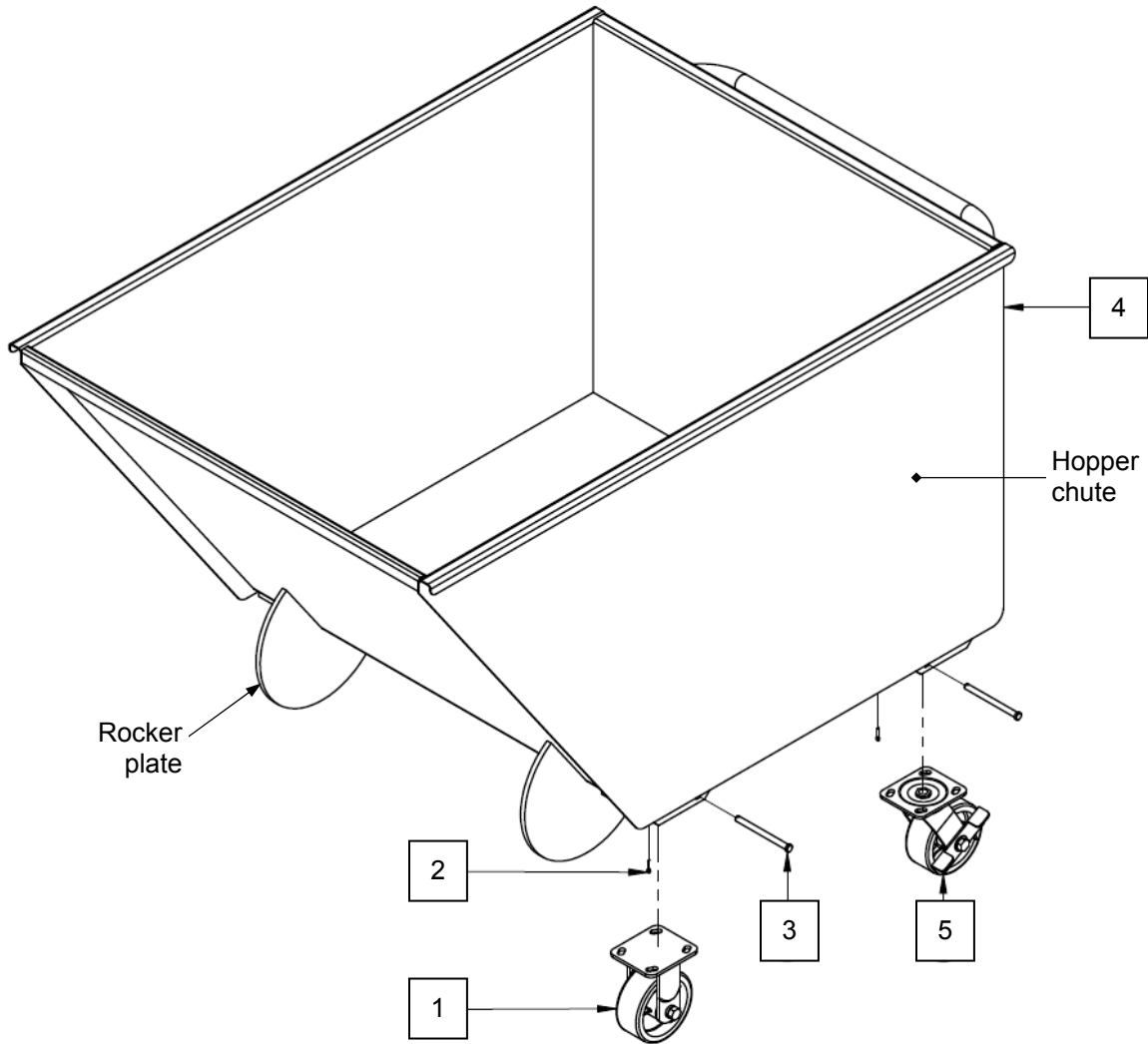
Fig. 1: SPTT-05 exploded parts diagram and bill of materials



| Item no. | Part no. | Description | Quantity |
|----------|------------|--|----------|
| 1 | 16-132-022 | PU-5/2-R, rigid caster | 2 |
| 2 | 65073 | $\frac{1}{8}$ in. x $\frac{5}{8}$ in. cotter pin | 4 |
| 3 | 99-112-006 | Clevis pin | 4 |
| 4 | 37-545-062 | Assembly, chute, weldment | 1 |
| 5 | 16-132-053 | 5in. x 2in. poly-on-steel caster with brake | 2 |

NOTICE DO NOT put or store corrosive substances in the hopper. Corrosion will damage and weaken the metal. Do not allow water to accumulate in the hopper, which will cause rust to develop.

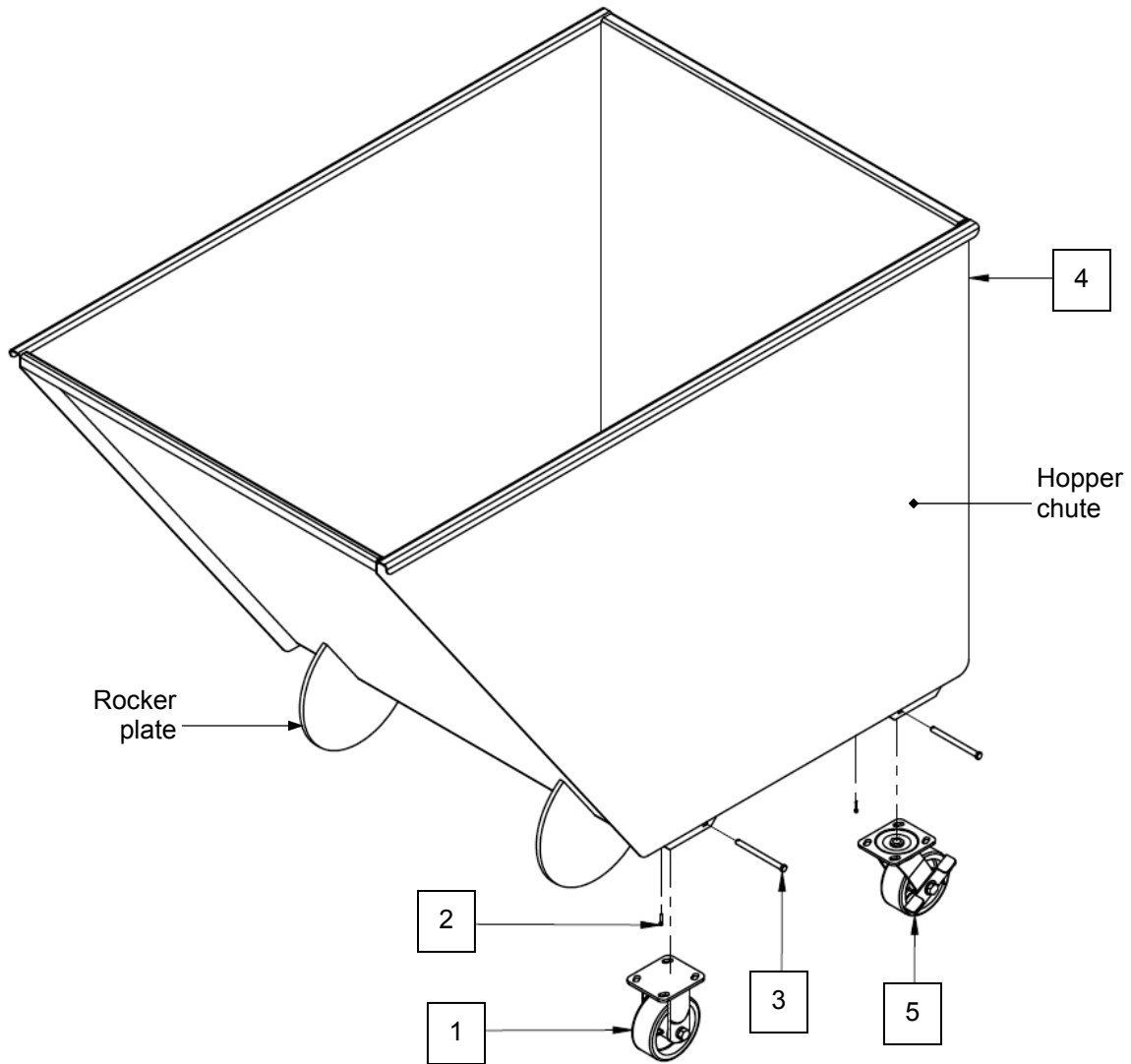
Fig. 2: SPTT-10 exploded parts diagram and bill of materials



| Item No. | Part No. | Description | Quantity |
|----------|------------|--|----------|
| 1 | 16-132-022 | PU-5/2-R, rigid caster | 2 |
| 2 | 65073 | $\frac{1}{8}$ in. x $\frac{9}{8}$ in. cotter pin | 4 |
| 3 | 99-112-006 | Clevis pin | 4 |
| 4 | 37-545-061 | Assembly, chute, weldment | 1 |
| 5 | 16-132-053 | 5in. x 2in. poly-on-steel caster with brake | 2 |

NOTICE DO NOT put or store corrosive substances in the hopper. Corrosion will damage and weaken the metal. Do not allow water to accumulate in the hopper, which will cause rust to develop.

FIG. 3: Leak Proof H-Hopper (Option H-LEKP) Diagram and Parts List



| Item no. | Part no. | Description | Quantity |
|----------|------------|--|----------|
| 1 | 16-132-022 | PU-5/2-R, rigid caster | 2 |
| 2 | 65073 | $\frac{1}{8}$ in. x $\frac{9}{8}$ in. cotter pin | 4 |
| 3 | 99-112-006 | Clevis pin | 4 |
| 4 | 37-545-062 | Assembly, chute, weldment | 1 |
| 5 | 16-132-053 | 5in. x 2in. poly-on-steel caster with brake | 2 |

NOTICE DO NOT put or store corrosive substances in the hopper. Corrosion will damage and weaken the metal. Do not allow water to accumulate in the hopper, which will cause rust to develop.

Loading & Use Instructions:

This steel dumping hopper is suitable for use indoors and outdoors and in most industrial and commercial settings. However, the hopper should be stored indoors to prevent rusting and corrosion.

Do not exceed the maximum rated load of your hopper (see p. 2 and label 287 in “Label placement diagram” on p. 7) or heap material above the sides of the hopper. Personal injury or permanent damage to the hopper could result from overloading.

Move the hopper to the desired dump site and orient the hopper so that the chute is positioned appropriately. Lift the end of the hopper by the handles. As you raise the end of the hopper, the rocker plates contact the ground. The front of the hopper pivots about the rocker plates until the front of the chute rests on the ground. Clean out any material that remains in the hopper.

Inspections & Maintenance:

⚠WARNING

If inspection reveals problems, restore the hopper to normal operating condition BEFORE using it again. DO NOT use a structurally damaged hopper. Structural damage includes, but is not limited to, cracked welds, warping or deformation of one or both of the rocker plates, and damaged casters.

Inspections:

Inspect the following components at least once per month and replace any component that is excessively worn or no longer operates normally. If a component cannot be replaced, remove the hopper from service:

- 1.) Hopper chute – examine the hopper for damage, deformation, and corroded or excessively rusted regions;
- 2.) Rocker plates – look for excessive wear, warping, or other significant damage. The rocker plates should be symmetrical to allow the hopper to pivot evenly and smoothly.
- 3.) Casters – check for looseness, excessive wear, or damage to the casters, caster bearings, mounting brackets on the underside of the hopper, and retaining hardware.
- 4.) Labels – all labels must be firmly affixed in the locations shown on p. 7.

Maintenance:

The end-user should implement a maintenance program to preserve the hopper in normal operating condition for as long as possible. The following steps should be applied to complement established maintenance programs.

⚠WARNING

The end-user is responsible for selecting and training employees to work on the hopper. **ONLY** trained, authorized maintenance personnel or contractors should inspect, maintain, or repair the hopper.

Step 1: Tag the hopper, “Out of Service.”

Step 2: Remove any dirt or other matter from all surfaces.

Step 3: Conduct an inspection as described above. If deformity, corrosion, rusting, or excessive wear of structural members is found, DO NOT use the product.

Step 4: Perform all other necessary adjustments, replacements and/or repairs, but DO NOT modify the hopper.

⚠WARNING

The reader should understand the significant difference between necessary adjustments and repairs, and modifications.

An “adjustment” is a simple correction that restores the hopper to normal operating condition, such as tightening loose fasteners, or removing dirt or other debris from the surface. “Repair” means removing worn parts and installing new, replacement parts.

➤ DO NOT use the hopper if adjustments and/or repairs are incomplete! Return it to service **ONLY** after finishing all necessary repairs and adjustments.

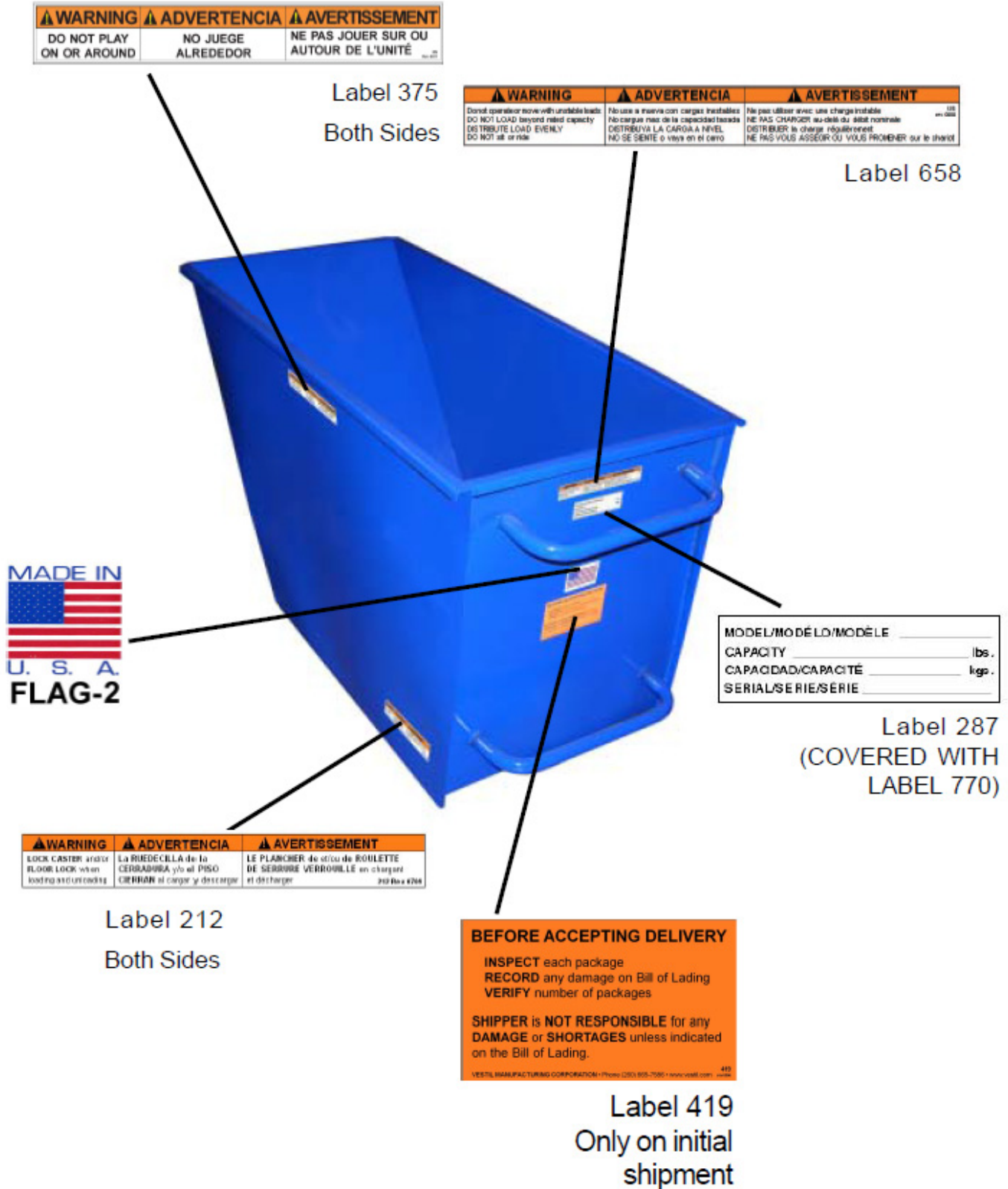
A “modification” is a change that alters the hopper from normal operating condition, like bending the structural members or removing a part or several parts. **NEVER** modify the hopper. If the hopper is modified, the limited warranty is automatically void. Additionally, modification might make the hopper unsafe to use.

Step 5: Make a dated record of all repairs, adjustments and/or replacements performed.

Label placement diagram

Your steel dumping hopper should be labeled as shown below.

NOTE: Label 419 is only relevant for newly received hoppers. It conveys no safety-related information.



LIMITED WARRANTY

Vestil Manufacturing Corporation (“Vestil”) warrants this product to be free of defects in material and workmanship during the warranty period. Our warranty obligation is to provide a replacement for a defective original part if the part is covered by the warranty, after we receive a proper request from the warrantee (you) for warranty service.

Who may request service?

Only a warrantee may request service. *You are a warrantee if* you purchased the product from Vestil or from an authorized distributor AND Vestil has been fully paid.

What is an “original part”?

An original part is a part used to make the product as shipped to the warrantee.

What is a “proper request”?

A request for warranty service is proper if Vestil receives: 1) a photocopy of the Customer Invoice that displays the shipping date; AND 2) a written request for warranty service including your name and phone number. Send requests by any of the following methods:

| <u>Mail</u> | <u>Fax</u> | <u>Email</u> |
|---|--|------------------|
| Vestil Manufacturing Corporation 2999 North Wayne Street, PO Box 507 Angola, IN 46703 | (260) 665-1339 <u>Phone</u> (260) 665-7586 | sales@vestil.com |

In the written request, list the parts believed to be defective and include the address where replacements should be delivered.

What is covered under the warranty?

After Vestil receives your request for warranty service, an authorized representative will contact you to determine whether your claim is covered by the warranty. Before providing warranty service, Vestil may require you to send the entire product, or just the defective part or parts, to its facility in Angola, IN. The warranty covers defects in the following *original* dynamic components: motors, hydraulic pumps, electronic controllers, switches and cylinders. It also covers defects in *original* parts that wear under normal usage conditions (“wearing parts”): bearings, hoses, wheels, seals, brushes, batteries, and the battery charger.

How long is the warranty period?

The warranty period for original dynamic components is 90 days. For wearing parts, the warranty period is 90 days. Both warranty periods begin on the date when Vestil ships the product to the warrantee. If the product was purchased from an authorized distributor, the periods began when the distributor shipped the product. Vestil may extend the warranty period for products shipped from authorized distributors by *up to* 30 days to account for shipping time.

If a defective part is covered by the warranty, what will Vestil do to correct the problem?

Vestil will provide an appropriate replacement for any *covered* part. An authorized representative of Vestil will contact you to discuss your claim.

What is not covered by the warranty?

1. Labor;
2. Freight;
3. Occurrence of any of the following, which automatically voids the warranty:
 - Product misuse;
 - Negligent operation or repair;
 - Corrosion or use in corrosive conditions;
 - Inadequate or improper maintenance;
 - Damage sustained during shipping;
 - Accidents involving the product;
 - Unauthorized modifications: DO NOT modify the product IN ANY WAY without first receiving written authorization from Vestil. Modification(s) might make the product unsafe to use or might cause excessive and/or abnormal wear.

Do any other warranties apply to the product?

Vestil Manufacturing Corp. makes no other express warranties. All implied warranties are disclaimed to the extent allowed by law. Any implied warranty not disclaimed is limited in scope to the terms of this Limited Warranty.

